

# Technical data sheet



## Product features

### Cooling cabinet 113 l, white

<b>Model</b>	<b>SAP Code</b>	00018384
DRR 200	<b>A group of articles - web</b>	Refrigeration and freezer cabinets



- Chamber volume [l]: 113
- Minimum device temperature [°C]: 0
- Maximum device temperature [°C]: 10
- Insulation thickness [mm]: 70
- Control type: Digital
- Interior lighting: No
- Door lock: Yes
- Opening of device: Two-sided
- Annual energy consumption [kWh]: 237

<b>SAP Code</b>	00018384	<b>Gross Volume [m3]</b>	0.407
<b>Net Width [mm]</b>	595	<b>Net Volume [m3]</b>	0.321
<b>Net Depth [mm]</b>	650	<b>Minimum device temperature [°C]</b>	0
<b>Net Height [mm]</b>	830	<b>Maximum device temperature [°C]</b>	10
<b>Net Weight [kg]</b>	41.00	<b>Refrigerant</b>	R600a
<b>Power electric [kW]</b>	0.158	<b>Noise of device</b>	51,2-52,3
<b>Loading</b>	230 V / 1N - 50 Hz	<b>Load capacity [kg]</b>	30
<b>Energy class</b>	B	<b>Refrigerant weight [g]</b>	35.00
<b>Chamber volume [l]</b>	113	<b>Climate class</b>	4

# Technical data sheet



Technical drawing

## Cooling cabinet 113 l, white

Model

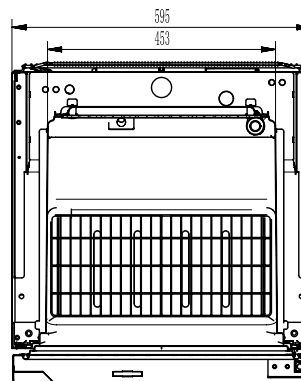
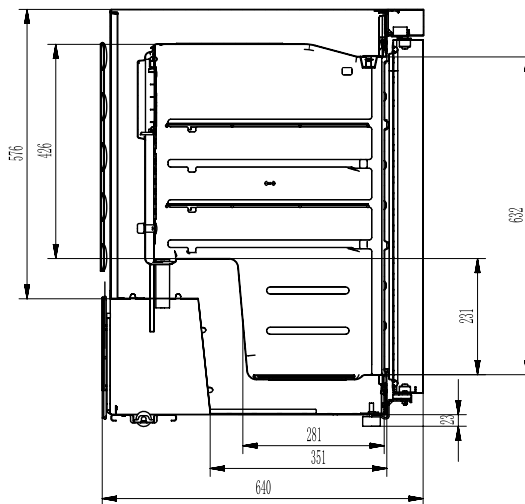
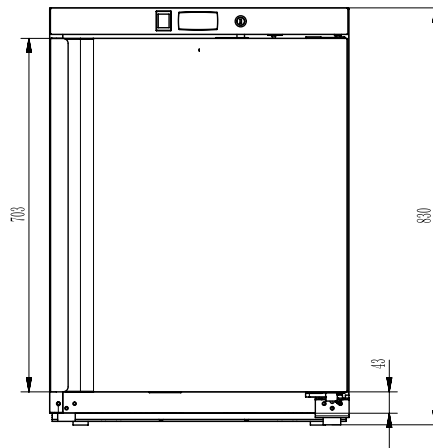
SAP Code

00018384

DRR 200

A group of articles - web

Refrigeration and freezer cabinets



# Technical data sheet



## Technical parameters

### Cooling cabinet 113 l, white

<b>Model</b>	<b>SAP Code</b>	00018384
<b>DRR 200</b>	<b>A group of articles - web</b>	Refrigeration and freezer cabinets

**1. SAP Code:**

00018384

**2. Net Width [mm]:**

595

**3. Net Depth [mm]:**

650

**4. Net Height [mm]:**

830

**5. Net Weight [kg]:**

41.00

**6. Gross Width [mm]:**

630

**7. Gross depth [mm]:**

680

**8. Gross Height [mm]:**

950

**9. Gross Weight [kg]:**

46.00

**10. Device type:**

Electric unit

**11. Power electric [kW]:**

0.158

**12. Loading:**

230 V / 1N - 50 Hz

**13. Energy class:**

B

**14. Refrigerant:**

R600a

**15. Cooling type:**

Static with fan

**16. Material:**

Stainless steel

**17. Exterior color of the device:**

White

**18. Min ambient temperature [°C]:**

18

**19. Max ambient temperature [°C]:**

43

**20. Device properties 2:**

Cooling

**21. Chamber volume [l]:**

113

**22. Gross Volume [m3]:**

0.407

**23. Net Volume [m3]:**

0.321

**24. Worktop material:**

Tin-plate

**25. Adjustable feet:**

Yes

**26. Insulation thickness [mm]:**

70

**27. Opening of device:**

Two-sided

**28. Gasket:**

Yes

# Technical data sheet



## Technical parameters

### Cooling cabinet 113 l, white

<b>Model</b>	<b>SAP Code</b>	00018384
DRR 200	<b>A group of articles - web</b>	Refrigeration and freezer cabinets

**29. Number of doors:**

1

**30. Unit:**

Yes

**31. Control type:**

Digital

**32. Door lock:**

Yes

**33. Interior lighting:**

No

**34. Annual energy consumption [kWh]:**

237

**35. Minimum device temperature [°C]:**

0

**36. Maximum device temperature [°C]:**

10

**37. Defrosting cycle:**

Yes

**38. Noise of device:**

51,2-52,3

**39. Load capacity [kg]:**

30

**40. Refrigerant weight [g]:**

35.00

**41. Number of grids:**

3

**42. Grid size [mm x mm]:**

479x405

**43. Climate class:**

4

**44. Cross-section of conductors CU [mm<sup>2</sup>]:**

0,5